



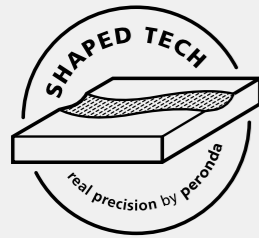
Ground
Porcelain & wall tile

peronda



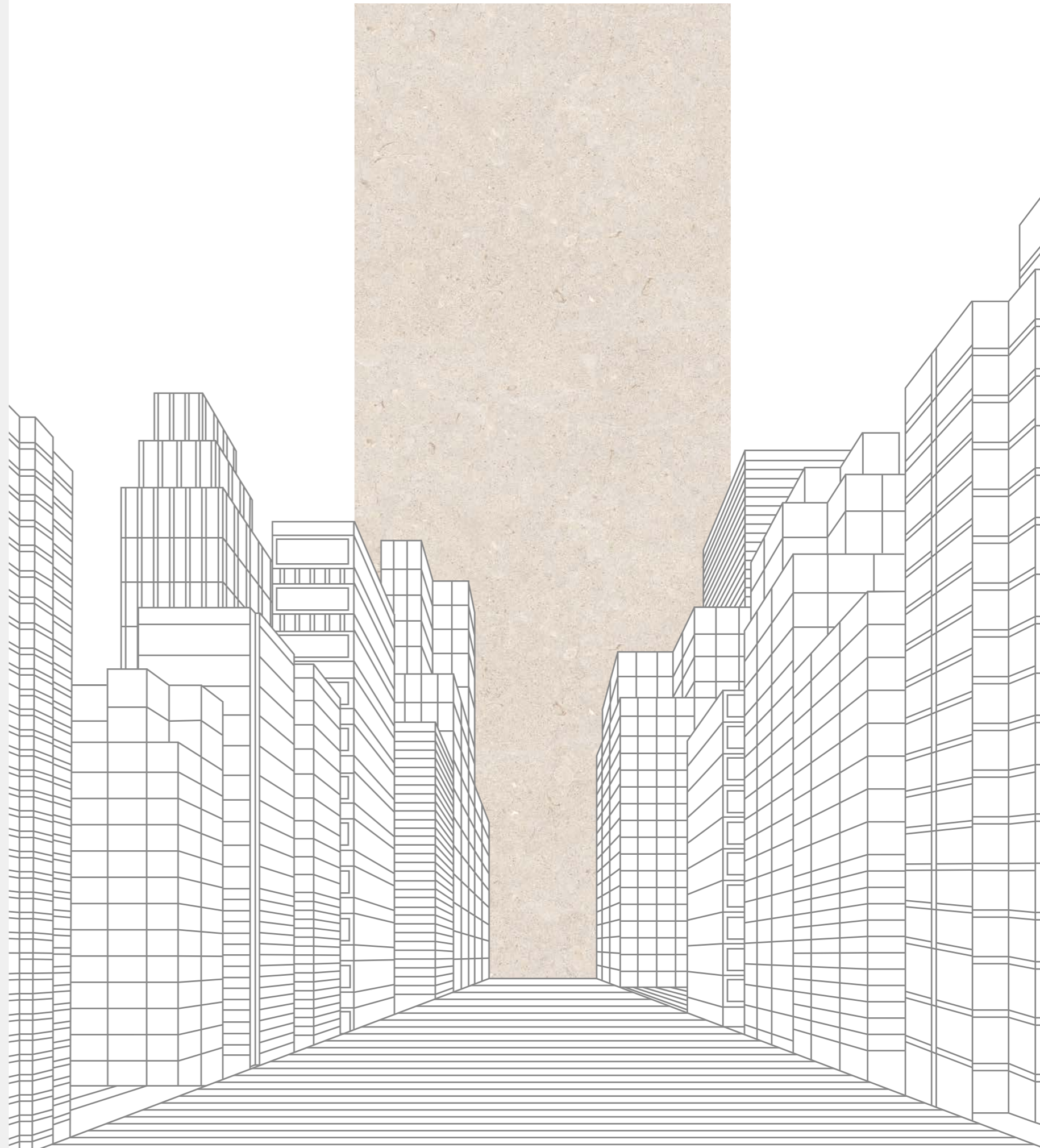
Ground

The largest format with the latest technology



Peronda presenta su última innovación en dimensiones de la pieza, donde aúna cantidad pero también calidad. El gran formato 100x260 cm, si bien ya conocido en el mundo de la cerámica, resurge en esta ocasión de la mano de Peronda para ofrecer por primera vez la mejor opción estética gracias a su acabado Shaped, el más realista del mercado. Shaped combina relieve y gráfica en cada pieza para replicar la naturaleza con precisión, pues se trata de la última tecnología de impresión en bajorrelieve. 100x260 cm Shaped, formatos mayúsculos para espacios monumentales.

Peronda presents its latest innovation regarding tile size by matching not only quantity but quality. The large 100x260 cm format, which is known within the ceramics field, makes a comeback by Peronda's hand to offer the most beautiful option for the first time thanks to its Shaped finish, the most realistic on the market. Shaped combines relief and graphics on each tile to replicate nature accurately, for it is the latest in bas-relief printing technology. 100 x 260 cm Shaped, capital formats for monumental spaces.

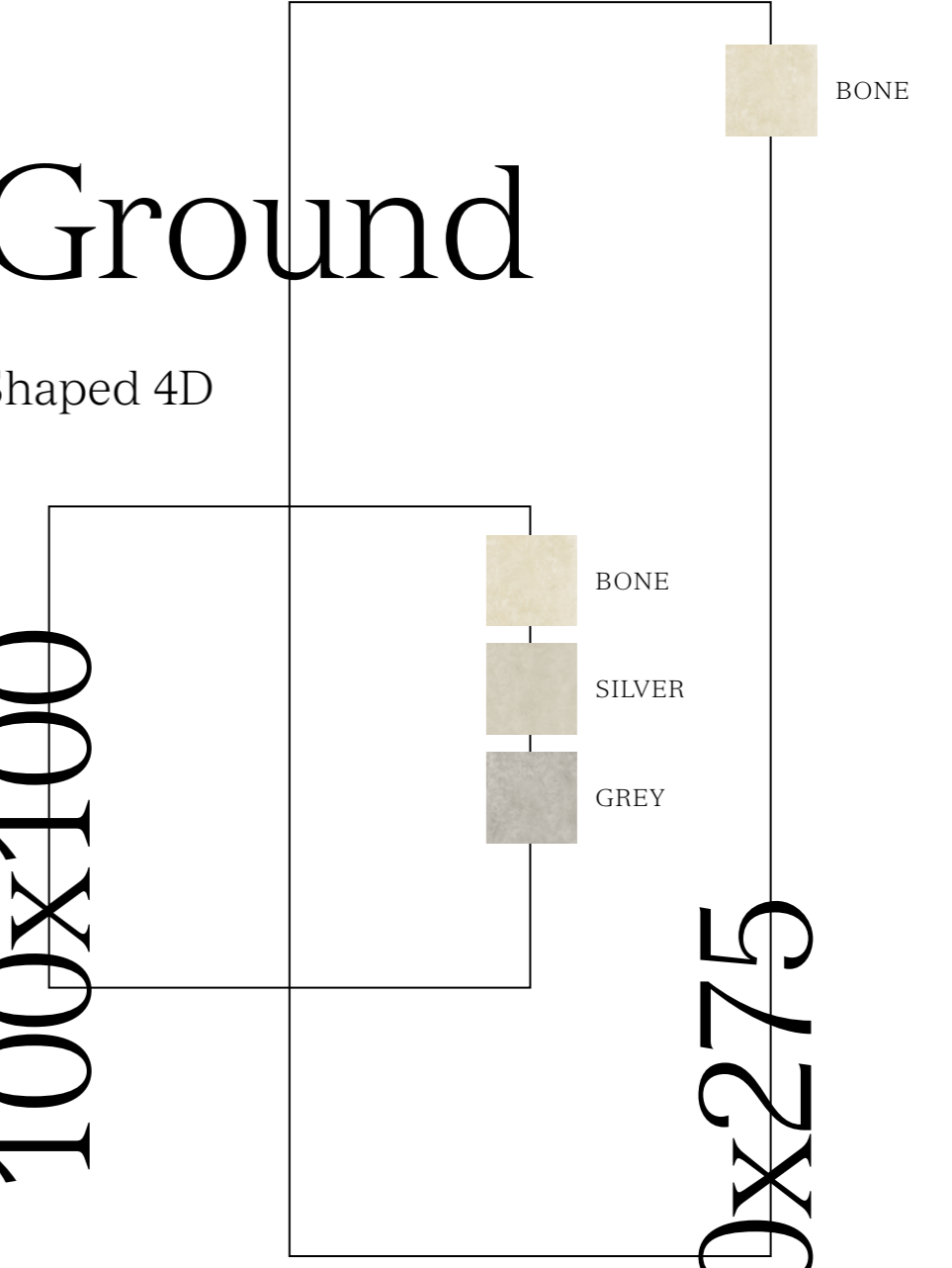


Ground

Shaped 4D

100x100

100x275





8

GROUND 100x100 Grey Shaped



8

9



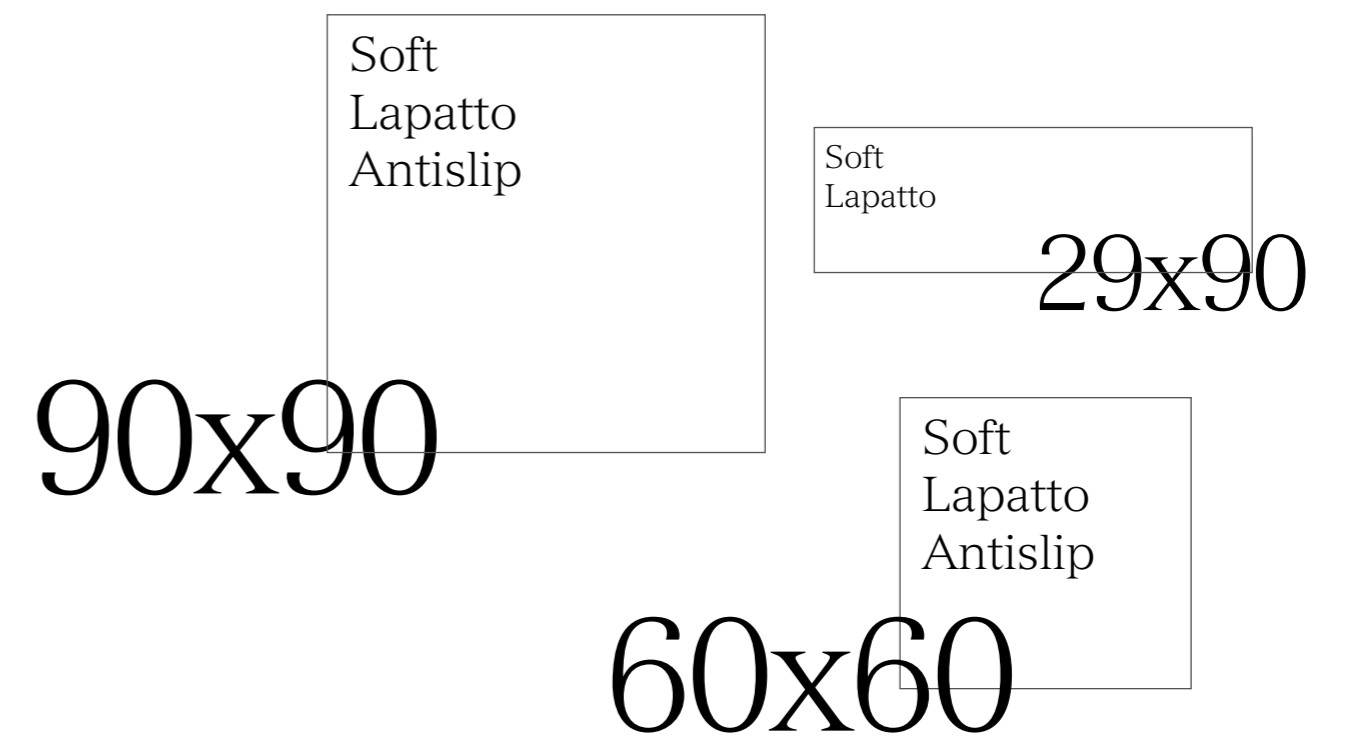
GROUND

Shaped 4D

GROUND 100x260 BONE Shaped



Ground





14

GROUND 90x90 Grey Antislip





GROUND 90x90 Bone Soft



GROUND 90x90 Bone Antislip

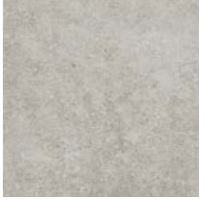




MILA 60x60 Cold Soft



GROUND 60x60 Grey Soft



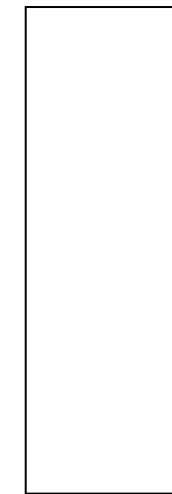
GROUND 90x90 Grey Soft



Ground

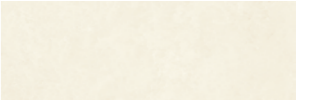
Shaped 4D

33,3x100





GROUND 33,3x100 Bone Shaped



GROUND 33,3x100 Decor Bone Shaped

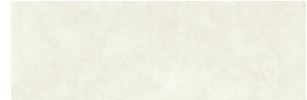


GROUND 100x100 Bone Shaped





GROUND 33,3x100 Silver Shaped



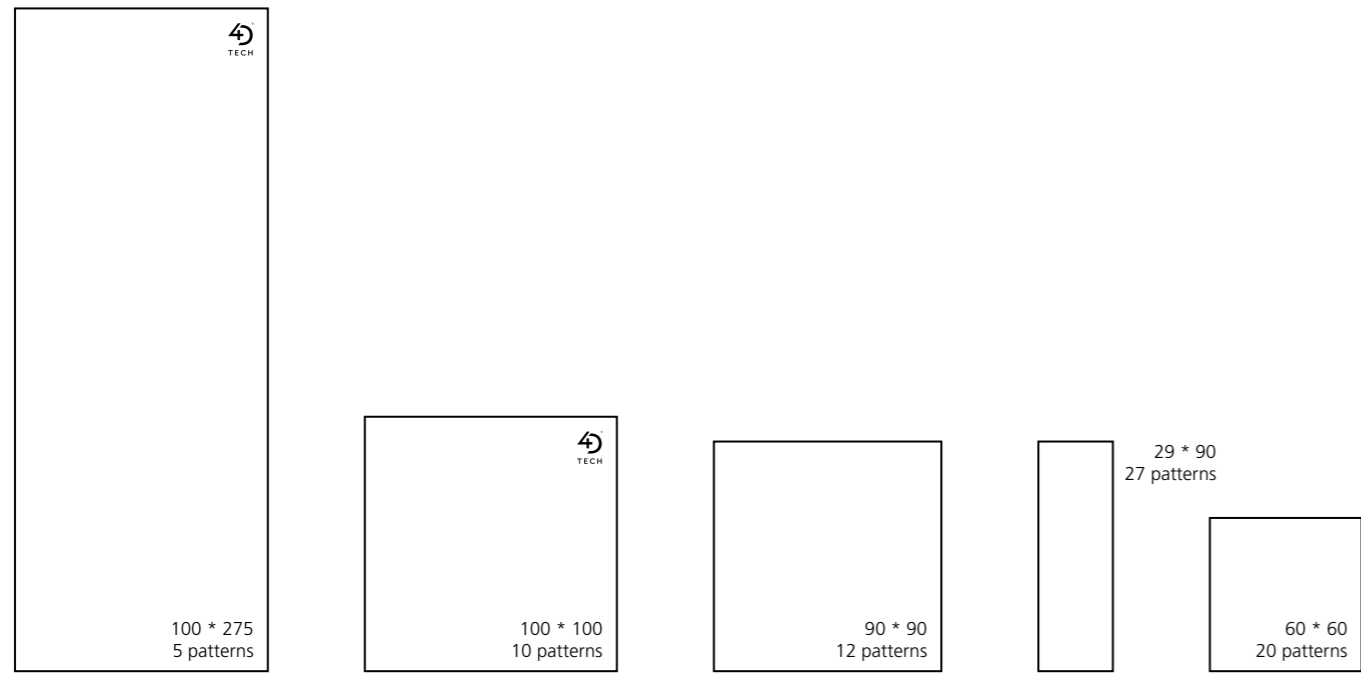
GROUND 33,3x100 Decor Silver Shaped



VERBIER 24x151 Taupe All in one



GROUND porcelain



| | 100*275*0,6 cm 39*108" | 100*100*0,6 cm 39*39" | 90*90*1 cm 36*36" | | | 29*90*1 cm 12*36" | | 60*60*1 cm 24*24" | | |
|-----------|---------------------------|--------------------------|----------------------|---------|----------|----------------------|---------|----------------------|---------|----------|
| RECTIFIED | SHAPED | SHAPED | SOFT | LAPATTO | ANTISLIP | SOFT | LAPATTO | SOFT | LAPATTO | ANTISLIP |
| | BN141 | BN135 | BN48 | BN42 | BN90 | BN114 | BN115 | BN33 | BN38 | BN88 |
| BONE | 35904 | 32889 | 24944 | 27134 | 24973 | 24920 | 27119 | 24936 | 27128 | 24979 |
| GREY | - | 32890 | 24792 | 27135 | 24974 | 24921 | 27120 | 24937 | 27130 | 24980 |
| SILVER | - | 32888 | 24790 | 27136 | 24975 | 24922 | 27121 | 24938 | 27129 | 24981 |



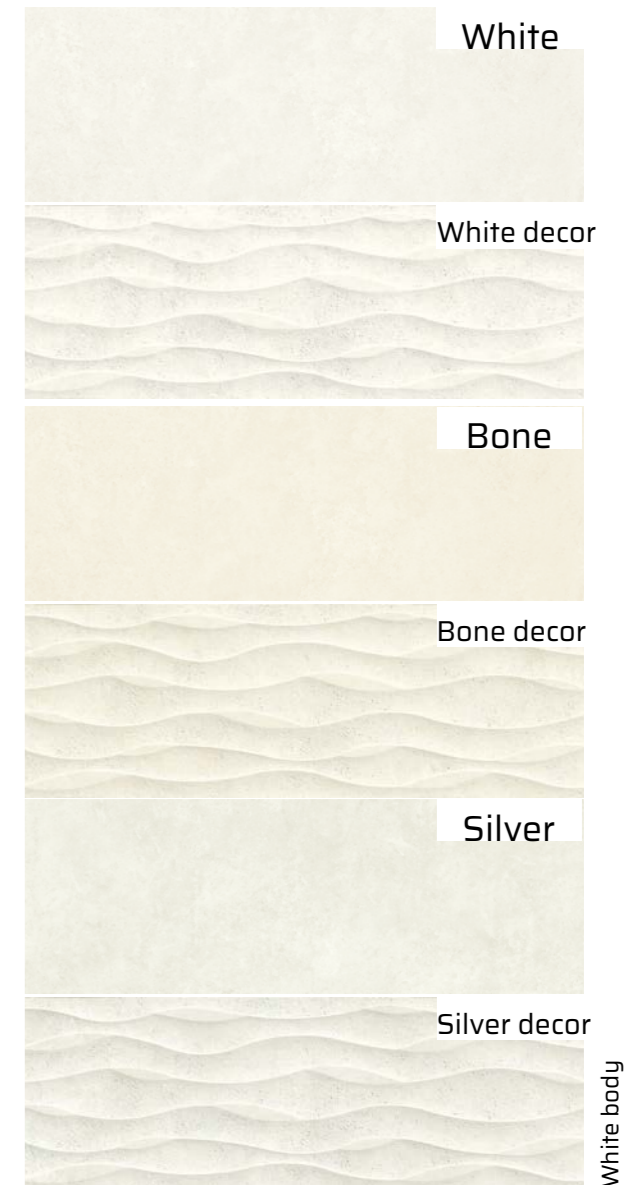
GROUND white body



| | 33,3*100*0,75 cm 13*39" | 33,3*100*0,86 cm 13*39" |
|-----------|----------------------------|----------------------------|
| RECTIFIED | NATURAL | DECOR_NATURAL |
| | BN65 | BN66 |
| BONE | 34761 | 34813 |
| SILVER | 34762 | 34815 |
| WHITE | 34763 | 34814 |



Porcelain



White body

PIEZAS ESPECIALES | SPECIAL PIECES

| D. GROUND MOSAIC | | D. GROUND SPAC | | MILA | | D. MILA MOSAIC | |
|------------------|-------|----------------|-------|-------|---------|----------------|--|
| RECT. | SOFT | SOFT | RECT. | SOFT | LAPATTO | MOSAIC SOFT | |
| | P37 | P58 | | BN40 | BN83 | P37 | |
| BONE | 23435 | 23505 | WARM | 24953 | 27137 | 23441 | |
| GREY | 23438 | 23506 | COLD | 24952 | 27138 | 23442 | |
| SILVER | 23439 | 23507 | | | | | |

CARACTERÍSTICAS TÉCNICAS | TECHNICAL CHARACTERISTICS



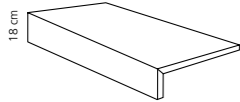
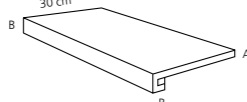
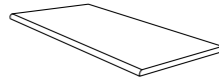
ANTIDESLIZAMIENTO | ANTI-SLIP

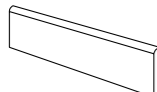




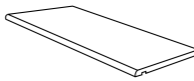
| FINISHED | DIN 51130 | DIN 51097 | BS 7976-2 (PTV) | UNE 41901 EX | ANSI A137.1 (DCOF) | ISO 10545-6 |
|------------|-----------|-----------|-----------------|--------------|--------------------|-----------------------|
| SHAPED | - | - | - | Class 1 | > 0,42 | < 175 mm ³ |
| ALL IN ONE | R11 | A+B+C | +36 Wet | Class 3 | > 0,42 | < 175 mm ³ |
| ANTISLIP | R11 | A+B+C | +36 Wet | Class 3 | > 0,42 | < 175 mm ³ |
| NATURAL | R10 | A+B | +36 Wet | Class 2 | > 0,42 | < 175 mm ³ |

CARACTERÍSTICAS TÉCNICAS | TECHNICAL CHARACTERISTICS

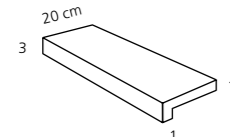
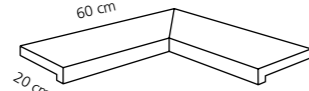
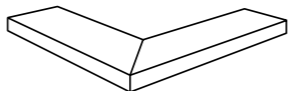


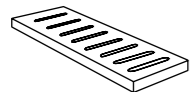
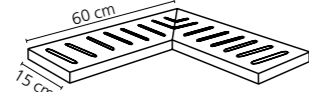
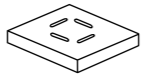
PIEZA COMPLEMENTARIA | COMPLEMENTARY PIECE

| | | |
|---|--|--|
| PL. /18 Peldaño técnico - Technical stair - thread | PT. Peldaño técnico - Technical stair - thread | PR. Peldaño Romo Rounded stair - thread |
|  |  |  |
| 30*100 cm 12*39" P74 30*90 cm 12*36" P76 30*60 cm 12*24" P54 | 30*100 cm 12*39" P74 <i>A = 0,6 cm B = 1,8 cm</i> <i>A = 0,8 cm B = 2,4 cm</i> 30*90 cm 12*36" P76 30*60 cm 12*24" P54 <i>A = 0,9 cm B = 2,7 cm</i> | 30*100 cm 12*39" P85 30*90 cm 12*36" P61 30*60 cm 12*24" P64 |

| | | | | | |
|---|---|---|---|---|---|
| R. Rodapie Skirting | S.K.I. | S.K.D. | Z.R.I. | Z.R.D. | AF. Alféizar - Windowsill |
|  |  |  |  |  |  |
| 8*100 cm 3*39" P45 8*90 cm 3*36" P44 8*60 cm 3*24" P34 | 8*30 cm 3*12" P53 8*30 cm 3*12" P55 | 8*30 cm 3*12" P53 8*30 cm 3*12" P55 | 8*30 cm 3*12" P53 8*30 cm 3*12" P55 | 8*30 cm 3*12" P53 8*30 cm 3*12" P55 | 25*90 cm 10*36" P77 |

PIEZA ESPECIAL PISCINA | SPECIAL PIECE POOL

| | | |
|---|---|--|
| P.V. Peldaño Vierendeague Pool Coping | ANG.P.V. Peldaño vierendeague ángulo Pool Coping internal corner | E.P.V. Peldaño vierendeague esquina Pool Coping external corner |
|  |  |  |
| 20*60 cm 8*24" P61 20*90 cm 8*36" P81 | 20*60 cm 8*24" P70 (PACK 2 units) 20*90 cm 8*36" P75 (PACK 2 units) | 20*60 cm 8*24" P70 (PACK 2 units) 20*90 cm 8*36" P75 (PACK 2 units) |

| | | |
|---|---|---|
| REJ. Rejilla Drainage grate | ANG.REJ. Ángulo rejilla Angle corner drainage grate | T.REJ. Taco rejilla Square corner drainage grate |
|  |  |  |
| 15*60*2,2 cm 6*24" P54 15*90*2,2 cm 6*36" P76 | 15*60*2,2 cm 6*24" P75 (PACK 2 units) 15*90*2,2 cm 6*36" P57 (PACK 2 units) | 15*15*2,2 cm 6*6" P85 |

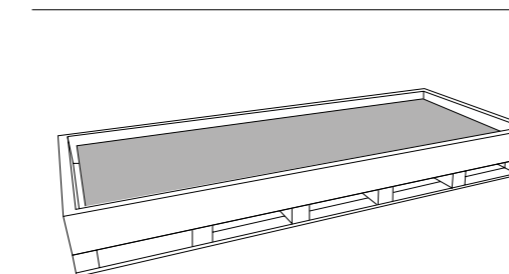
EMBALAJE PLACA | SLAB PACKING

(Los pesos aquí reflejados pueden sufrir ligeras variaciones en función del lote de producción. Weights shown here may slightly vary depending on the production lot.)

| 1 PLACA SLAB | | | CAJÓN MADERA WOODEN CRATE | | | CONT./20' 25000 KG. | | | CONT./40' 25000 KG. | | |
|------------------------|-----------------|-------|-----------------------------|-----------------|------|---------------------|-----------------|-------|---------------------|-----------------|---------|
| cm | m ² | kg | Placas | m ² | kg | Cajones | m ² | kg | Cajones | m ² | kg |
| inch | ft ² | lb | Slabs | ft ² | lb | Crates | ft ² | lb | Crates | ft ² | lb |
| 100 * 275 * 0,6 | 2,75 | 38,5 | 20 | 55 | 869 | 24 | 1320 | 20856 | 29 | 1595 | 25201 |
| 39 3/8 * 108 1/4 * 1/4 | 29,6 | 84,88 | 20 | 592 | 1916 | 24 | 14208,4 | 45980 | 29 | 17168,4 | 55558,7 |

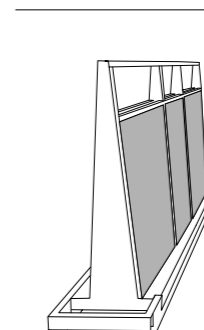
| 1 PLACA SLAB | | | CABALLETE A-FRAME | | | CONT./20' 24000 KG. | | | CONT./40' 24000 KG. | | |
|------------------------|-----------------|-------|---------------------|-----------------|------|---------------------|-----------------|-------|---------------------|-----------------|-------|
| cm | m ² | kg | Placas | m ² | kg | Caballette | m ² | kg | Caballette | m ² | kg |
| inch | ft ² | lb | Slabs | ft ² | lb | A-frame | ft ² | lb | A-frame | ft ² | lb |
| 100 * 275 * 0,6 | 2,75 | 38,5 | 50 | 137,5 | 2024 | 6 | 825 | 12144 | 11 | 1512,5 | 22264 |
| 39 3/8 * 108 1/4 * 1/4 | 29,6 | 84,88 | 50 | 1480 | 4343 | 6 | 8880 | 26058 | 11 | 16280 | 47773 |

CAJÓN DE MADERA
WOODEN CRATE



| | |
|----------------------------|-------------------------|
| Tamaño aprox. cm. | 291*112*33 cm |
| Approx. inch. sizes | 114 9/16*44 1/8*12 3/16 |

CABALLETE
A-FRAME



| | |
|----------------------------|------------------------|
| Tamaño aprox. cm. | 290*75*152 cm |
| Approx. inch. sizes | 114 1/8*29 1/2*59 7/8" |



Accede al código QR y visualiza el manual técnico de colocación de gran formato. Enter with the QR code and view the technical manual for laying slabs.

EMBALAJE | PACKING

| | Formato Sizes | Cajas Boxes | | | Pallet (P) | | | Cont./20' 21500 kg. | Cont./20' 24000 kg. | |
|----------------------|-------------------------|---------------|-----------------|-------|------------|-----------------|---------|----------------------------|------------------------------|--------------------|
| | cm | Piezas | m ² | kg | Cajas | m ² | kg | Tamaño aprox. cm | m ² | m ² |
| Porcelain | 100 * 100 * 0,6 | 2 | 2 | 27,8 | 24 | 48 | 709,2 | 112 * 112 * 61 | 1440 m ² (30 P) | 21276 kg (30 P) |
| | 90 * 90 * 0,9 | 2 | 1,62 | 33,96 | 24 | 38,88 | 839 | 95 * 105 * 75 | 972 | 1089 |
| | 60 * 60 * 0,9 | 3 | 1,08 | 20,63 | 40 | 43,2 | 849 | 80 * 120 * 105 | 1080 | 1210 |
| | 29 * 90 * 1 | 3 | 0,78 | 20 | 54 | 42,12 | 1105 | 105 * 95 * 75 | 819,53 | 914,82 |
| White body wall tile | 33,3 * 100 * 0,75 | 6 | 2 | 26,60 | 24 | 48 | 663 | 118 * 110 * 48 | 1556,56 | 1737,56 |
| | 33,3 * 100 * 0,86 | 5 | 1,67 | 24 | 24 | 40,08 | 601 | 118 * 110 * 48 | 1544,30 | 1723,87 |
| Porcelain | inch | units | ft ² | lb | Boxes | ft ² | lb | Sizes Inch approx. | ft ² | ft ² |
| | 39 3/8 * 39 3/8 * 1/4 | 2 | 21,52 | 61,29 | 24 | 516,66 | 1563,51 | 44 1/8 * 44 1/8 * 24 | 15500 ft ² (30 P) | 46905,55 lb (30 P) |
| | 35 7/16 * 35 7/16 * 3/8 | 2 | 17,43 | 74,71 | 24 | 418,35 | 1845,80 | 37 3/8 * 41 5/16 * 29 1/2 | 10458,72 | 11717,64 |
| | 23 5/8 * 23 5/8 * 3/8 | 3 | 11,62 | 45,39 | 40 | 464,83 | 1867,80 | 31 1/2 * 47 1/4 * 29 1/2 | 11620,80 | 13019,60 |
| White body wall tile | 11 7/16 * 35 7/16 * 3/8 | 3 | 8,4 | 44,09 | 54 | 453,38 | 2436,53 | 41 5/16 * 37 3/8 * 29 1/2 | 8821,41 | 9847,16 |
| | 13 1/8 * 39 3/8 * 1/4 | 6 | 21,53 | 58,65 | 24 | 516,67 | 1461,92 | 46 7/16 * 43 5/16 * 18 7/8 | 16754,82 | 18703,06 |
| White body wall tile | 13 1/8 * 39 3/8 * 5/16 | 5 | 17,98 | 48,95 | 24 | 431,42 | 1230,39 | 46 7/16 * 43 5/16 * 18 7/8 | 16622,86 | 18555,75 |

Debido a los procesos de impresión, los colores que aparecen en este catálogo deben considerarse aproximados, y no exactos. Los derechos de todos los contenidos (textos, fotografías, dibujos, diseños etc) del presente catálogo son propiedad de PERONDA GROUP, S.A. (o en su defecto, cuentan con los correspondientes permisos y autorizaciones de sus titulares). No está permitida la reproducción total o parcial de esta publicación, ni su tratamiento informático, ni la transmisión de ninguna forma o por cualquier medio, ya sea electrónico, mecánico, por fotocopia, por registro u otros medios, sin el permiso previo y por escrito de los titulares del copyright.

All colours and hues appearing in this catalogue should be considered approximate, only in view of the printing processes involved. The rights of all contents (texts, photographs, drawings, designs, etc.) of this catalogue remain the property of PERONDA GROUP, S.A. (or, failing that, they have the corresponding permissions and authorizations of the owners). No part of this publication may be reproduced, stored in a retrieval system, or transmitted in any form or by any means, electronic, mechanical, photocopying, recording or otherwise, without the prior written permission of the copyright holders.

peronda

peronda.com

Av. Manuel Escobedo, 26 _ P.O Box 51
12200 **Onda (Castellón)** España
964 602 012 _ f. 964 600 361